

Bluetooth® Audio System

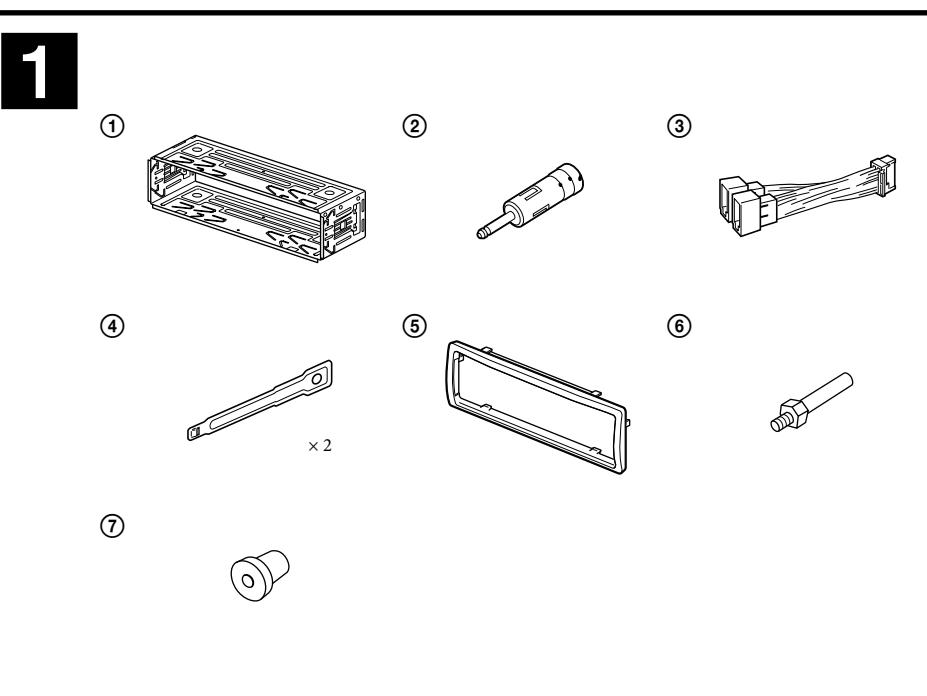
Installation/Connections
 Installation/Anschluss
 Installazione/Collegamenti
 Montage/Aansluitingen

MEX-BT2900

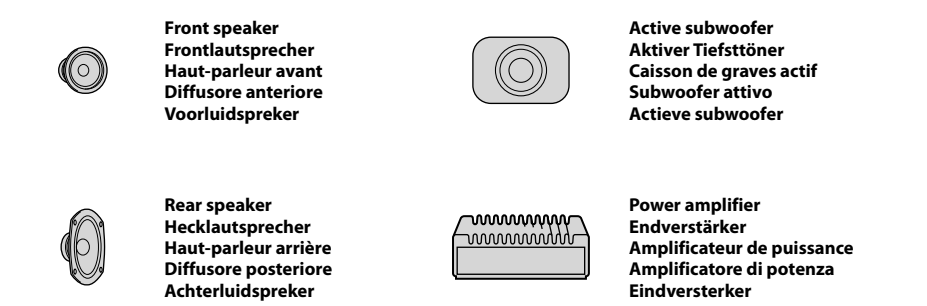
©2010 Sony Corporation Printed in Thailand



* 4 1 9 7 9 9 1 1 1 *



Equipment used in illustrations (not supplied)
In Abbildungen dargestellte Geräte (nicht mitgeliefert)
Appareils utilisés dans les illustrations (non fournis)
Apparecchiatura utilizzata nelle illustrazioni (non in dotazione)
Apparaat gebruikt in de afbeeldingen (niet bijgeleverd)



Front speaker
 Frontlautsprecher
 Haut-parleur avant
 Diffusore anteriore
 Voorluidspreker

Rear speaker
 Hecklautsprecher
 Haut-parleur arrière
 Diffusore posteriore
 Achterluidspreker

Active subwoofer
 Aktiver Tieftöner
 Caisson de graves actif
 Subwoofer attivo
 Actieve subwoofer

Power amplifier
 Endverstärker
 Amplificateur de puissance
 Amplificatore di potenza
 Eindversterker

Note
 Before installing, make sure that the catches on both sides of the bracket (1) are bent inward (2 mm (1/8") in). If the catches are straight or bent outward, the unit will not be installed securely and may spring out.

Connection example

Notes (2 A)
 • Be sure to connect the ground (earth) lead before connecting the amplifier.
 • The alarm will only sound if the built-in amplifier is used.

Connection diagram

A To AMP REMOTE IN of an optional power amplifier
 This connection is only for amplifiers. Connecting any other system may damage the unit.
B To the interface cable of a car telephone

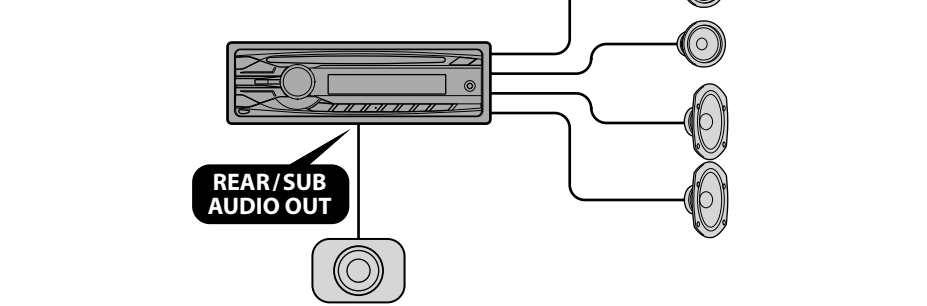
Warning
 If you have a power antenna (aerial) without a relay box, connecting this unit with the supplied power supply lead (3) may damage the antenna (aerial).

Notes on the control and power supply leads
 • The power antenna (aerial) control lead (blue) supplies +12 V DC when you turn on the tuner, or when you activate the AF (Alternative Frequency) or TA (Traffic Announcement) function.
 • When your car has built-in FM/AM/IFW antenna (aerial) in the rear/side glass, connect the power antenna (aerial) control lead (blue) or the necessary power supply lead (red) to the power terminal of the existing antenna (aerial) booster. For details, consult your dealer.
 • A power antenna (aerial) without a relay box cannot be used with this unit.

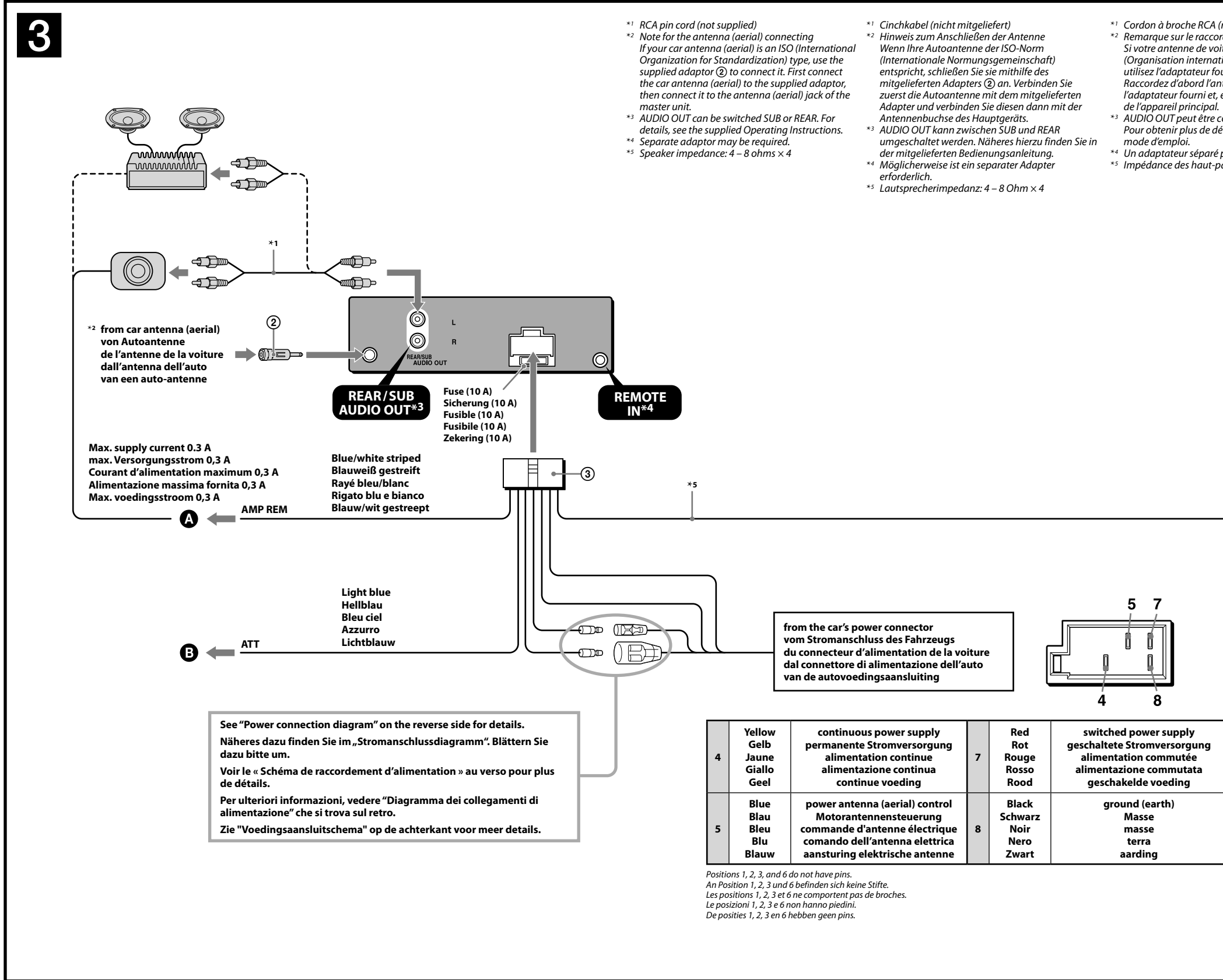
Memory hold connection
 When the yellow power supply lead is connected, power will always be supplied to the memory circuit even when the ignition switch is turned off.

Notes on speaker connection
 • Before connecting the speakers, turn the unit off.
 • Use speakers with an impedance of 4 to 8 ohms, and with adequate power handling capacities to avoid its damage.
 • Do not connect the speaker terminals to the car chassis, or connect the terminals of the right speakers with those of the left speaker.
 • Do not connect the ground (earth) lead of this unit to the negative (-) terminal of the speaker.
 • Do not attempt to connect the speakers in parallel.
 • Connect only passive speakers. Connecting active speakers (with built-in amplifiers) to the speaker terminals may damage the unit.
 • To avoid a malfunction, do not use the built-in speaker leads installed in your car if the unit shares a common negative (-) lead for the right and left speakers.
 • Do not connect the unit's speaker leads to each other.

Note on connector
 If speaker and amplifier are not connected correctly, "FALLURE" appears in the display. In this case, make sure the speaker and amplifier are connected correctly.



REAR/SUB AUDIO OUT



Cautions

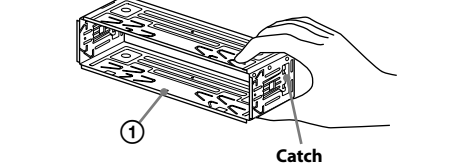
Be sure to install this unit in the dashboard of the car as the rear side of the unit becomes hot during use.

- This unit is designed for negative ground (earth) 12 V DC operation only.
- Do not get the leads under a screw, or caught in moving parts (e.g. seat railing).
- Before making connections, turn the car ignition off to avoid short circuits.
- Connect the power supply lead (3) to the unit and speakers before connecting it to the auxiliary power connector.
- Run all ground (earth) leads to a common ground (earth) point.**
- Be sure to insulate any loose unconnected leads with electrical tape for safety.
- Notes on the power supply lead (yellow)**
- When connecting this unit in combination with other stereo components, the connected car circuit's rating must be higher than the sum of each component's fuse.
- When no car circuits are rated high enough, connect the unit directly to the battery.

Parts list

- The numbers in the list are keyed to those in the instructions.
- The bracket (1) is attached to the unit before shipping. Before mounting the unit, use the release keys (2) to remove the bracket (1) from the unit. For details, see "Removing the bracket (1)" on the reverse side of the sheet.
- Keep the release keys (2) for future use as they are necessary if you remove the unit from your car.**

Caution
 Handle the bracket (1) carefully to avoid injuring your fingers.



Note
 Before installing, make sure that the catches on both sides of the bracket (1) are bent inward (2 mm (1/8") in). If the catches are straight or bent outward, the unit will not be installed securely and may spring out.

Connection example

Notes (2 A)
 • Be sure to connect the ground (earth) lead before connecting the amplifier.
 • The alarm will only sound if the built-in amplifier is used.

Connection diagram

A To AMP REMOTE IN of an optional power amplifier
 This connection is only for amplifiers. Connecting any other system may damage the unit.
B To the interface cable of a car telephone

Warning
 If you have a power antenna (aerial) without a relay box, connecting this unit with the supplied power supply lead (3) may damage the antenna (aerial).

Notes on the control and power supply leads
 • The power antenna (aerial) control lead (blue) supplies +12 V DC when you turn on the tuner, or when you activate the AF (Alternative Frequency) or TA (Traffic Announcement) function.
 • When your car has built-in FM/AM/IFW antenna (aerial) in the rear/side glass, connect the power antenna (aerial) control lead (blue) or the necessary power supply lead (red) to the power terminal of the existing antenna (aerial) booster. For details, consult your dealer.
 • A power antenna (aerial) without a relay box cannot be used with this unit.

Memory hold connection
 When the yellow power supply lead is connected, power will always be supplied to the memory circuit even when the ignition switch is turned off.

Notes on speaker connection
 • Before connecting the speakers, turn the unit off.
 • Use speakers with an impedance of 4 to 8 ohms, and with adequate power handling capacities to avoid its damage.
 • Do not connect the speaker terminals to the car chassis, or connect the terminals of the right speakers with those of the left speaker.
 • Do not connect the ground (earth) lead of this unit to the negative (-) terminal of the speaker.
 • Do not attempt to connect the speakers in parallel.
 • Connect only passive speakers. Connecting active speakers (with built-in amplifiers) to the speaker terminals may damage the unit.
 • To avoid a malfunction, do not use the built-in speaker leads installed in your car if the unit shares a common negative (-) lead for the right and left speakers.
 • Do not connect the unit's speaker leads to each other.

Note on connector
 If speaker and amplifier are not connected correctly, "FALLURE" appears in the display. In this case, make sure the speaker and amplifier are connected correctly.



REAR/SUB AUDIO OUT

Warnhinweise

Installieren Sie das Gerät unbedingt im Armaturenbrett des Fahrzeugs, denn die Rückseite des Geräts erwärmt sich bei Betrieb.

- Dieses Gerät ist ausschließlich für den Betrieb bei 12 V Gleichstrom (negative Erdung) bestimmt.
- Achten Sie darauf, dass die Kabel nicht unter einer Schraube oder zwischen beweglichen Teilen wie z. B. in einer Sitzlehne eingeklemmt werden.
- Schalten Sie, bevor Sie irgendwelche Anschlüsse vornehmen, die Zündung des Fahrzeugs aus, um Kurzschlüsse zu vermeiden.
- Verbinden Sie das Stromversorgungs-kabel (3) mit dem Gerät und den Lautsprechern, bevor Sie es mit dem Hilfstromanschluss verbinden.
- Schließen Sie alle Erdungskabel an einen gemeinsamen Massepunkt an.**
- Aus Sicherheitsgründen müssen alle lösen, nicht angeschlossenen Drähte mit Isolierband abgedeckt werden.

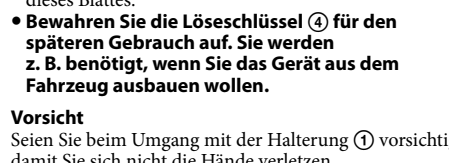
Hinweise zum Stromversorgungs-kabel (gelb)

- Wenn Sie dieses Gerät zusammen mit anderen Stereokomponenten anschließen, muss der Autostromkreis, an den die Geräte angeschlossen sind, eine höhere Leistung aufweisen als die Summe der Sicherungen der einzelnen Komponenten.
- Wenn kein Autostromkreis eine so hohe Leistung aufweist, schließen Sie das Gerät direkt an die Batterie an.

Teilleiste

- Die Nummern in der Liste sind dieselben wie im Erläuterungstext.
- Die Halterung (1) wird vor dem Auslieferung am Gerät angebracht. Bevor Sie das Gerät montieren, nehmen Sie die Halterung (1) mithilfe der Löseschlüssel (2) vom Gerät ab. Einzelheiten dazu finden Sie unter „Abnehmen der Halterung (1)“ auf der Rückseite dieses Blattes.
- Bewahren Sie die Löseschlüssel (2) für den späteren Gebrauch auf. Sie werden z. B. benötigt, wenn Sie das Gerät aus dem Fahrzeug ausbauen wollen.**

Vorsicht
 Seien Sie beim Umgang mit der Halterung (1) vorsichtig, damit Sie sich nicht die Hände verletzen.



Note
 Before installing, make sure that the catches on both sides of the bracket (1) are bent inward (2 mm (1/8") in). If the catches are straight or bent outward, the unit will not be installed securely and may spring out.

Connection example

Notes (2 A)
 • Be sure to connect the ground (earth) lead before connecting the amplifier.
 • The alarm will only sound if the built-in amplifier is used.

Connection diagram

A To AMP REMOTE IN of an optional power amplifier
 This connection is only for amplifiers. Connecting any other system may damage the unit.
B To the interface cable of a car telephone

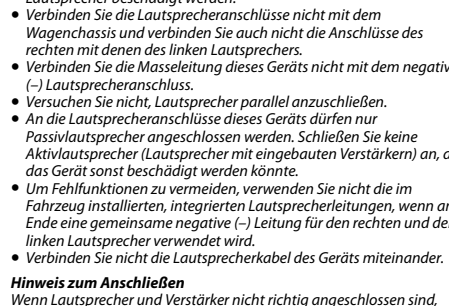
Warning
 If you have a power antenna (aerial) without a relay box, connecting this unit with the supplied power supply lead (3) may damage the antenna (aerial).

Notes on the control and power supply leads
 • The power antenna (aerial) control lead (blue) supplies +12 V DC when you turn on the tuner, or when you activate the AF (Alternative Frequency) or TA (Traffic Announcement) function.
 • When your car has built-in FM/AM/IFW antenna (aerial) in the rear/side glass, connect the power antenna (aerial) control lead (blue) or the necessary power supply lead (red) to the power terminal of the existing antenna (aerial) booster. For details, consult your dealer.
 • A power antenna (aerial) without a relay box cannot be used with this unit.

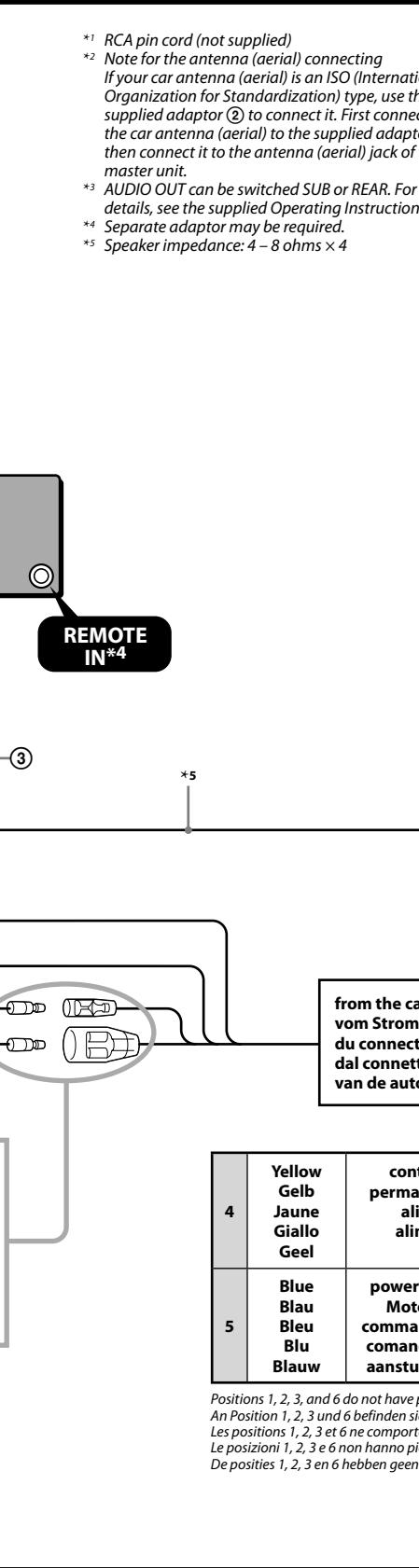
Memory hold connection
 When the yellow power supply lead is connected, power will always be supplied to the memory circuit even when the ignition switch is turned off.

Notes on speaker connection
 • Before connecting the speakers, turn the unit off.
 • Use speakers with an impedance of 4 to 8 ohms, and with adequate power handling capacities to avoid its damage.
 • Do not connect the speaker terminals to the car chassis, or connect the terminals of the right speakers with those of the left speaker.
 • Do not connect the ground (earth) lead of this unit to the negative (-) terminal of the speaker.
 • Do not attempt to connect the speakers in parallel.
 • Connect only passive speakers. Connecting active speakers (with built-in amplifiers) to the speaker terminals may damage the unit.
 • To avoid a malfunction, do not use the built-in speaker leads installed in your car if the unit shares a common negative (-) lead for the right and left speakers.
 • Do not connect the unit's speaker leads to each other.

Note on connector
 If speaker and amplifier are not connected correctly, "FALLURE" appears in the display. In this case, make sure the speaker and amplifier are connected correctly.



REAR/SUB AUDIO OUT



Précautions

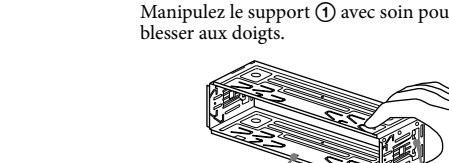
Installez cet appareil sur le tableau de bord de la voiture, car l'arrière de l'appareil chauffe en cours d'utilisation.

- Cet appareil est conçu pour fonctionner uniquement sur un courant continu de 12 V avec masse négative.
- Évitez de coincer les câbles sous des vis ou dans des pièces mobiles (par exemple, armature de siège).
- Avant de défecter des raccordements, éteignez le moteur pour éviter les courts-circuits.
- Branchez le câble d'alimentation (3) sur l'appareil et les haut-parleurs avant de le brancher sur le connecteur d'alimentation auxiliaire.
- Rassemblez tous les câbles de mise à la masse en un point de masse commun.**
- Veillez à isoler tout câble lâche non raccordé avec du ruban isolant.

Liste des composants

- Les numéros de la liste correspondent à ceux des instructions.
- Le support (1) est fixé à l'appareil en usine. Avant le montage de l'appareil, utilisez les clés de débricolage (2) pour détacher le support (1) de l'appareil. Pour de plus amples informations, reportez-vous à la section "Retrait du support (1)" au verso de la feuille.
- Conservez les clés de débricolage (2) pour une utilisation ultérieure car vous en aurez besoin pour retirer l'appareil de votre véhicule.**

Avertissement
 Manipulez le support (1) avec soin pour éviter de vous blesser aux doigts.



Note
 Before installing, make sure that the catches on both sides of the bracket (1) are bent inward (2 mm (1/8") in). If the catches are straight or bent outward, the unit will not be installed securely and may spring out.

Exemple de raccordement

Notes (2 A)
 • Assurez-vous de connecter le câble de mise à la masse avant de connecter l'amplificateur.
 • Le message d'alarme est émis uniquement lorsque l'amplificateur intégré est utilisé.

Schéma de raccordement

A Vers la prise AMP REMOTE IN d'un amplificateur de puissance facultatif
B Vers le câble d'interface d'un téléphone de voiture

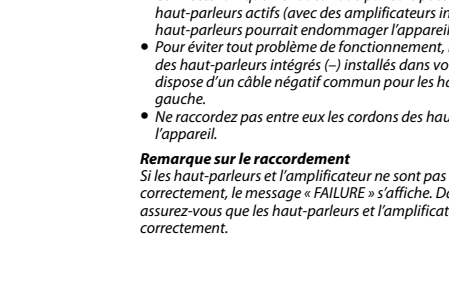
Attention
 Si vous disposez d'une antenne électrique sans boîtier de relais, le branchement de cet appareil au moyen du cordon d'alimentation fourni (3) risque d'endommager l'antenne.

Notes sur les câbles de commande et d'alimentation
 • Le câble de commande d'antenne électrique (bleu) fournit du courant continu de +12 V lorsque vous mettez le tuner sous tension ou lorsque vous activez la fonction AF (fréquence alternative) ou TA (annonces de trafic).
 • Lorsque votre voiture est équipée d'une antenne FM/AM/IFW (GO) intégrée dans la vitre arrière/laterale, raccordez le câble de commande d'antenne électrique (bleu) ou le câble d'alimentation des accessoires (rouge) au site de l'amplificateur d'antenne existant.
 • Pour plus de détails, consultez votre revendeur.
 • Si l'antenne électrique sans boîtier de relais ne peut pas être utilisée avec cet appareil.

Raccordement pour la conservation de la mémoire
 Lorsque le câble d'alimentation jaune est raccordé, le circuit de la mémoire est alimenté en permanence même si la clé de contact est en position d'arrêt.

Remarques sur le raccordement des haut-parleurs
 • Avant de raccorder les haut-parleurs, mettez l'appareil hors tension.
 • Utilisez des haut-parleurs ayant une impédance de 4 à 8 ohms et une capacité adéquate sous peine de les endommager.
 • Ne pas raccorder les bornes du système de haut-parleurs au châssis de la voiture et ne pas connecter les bornes du haut-parleur droit à celles du haut-parleur gauche.
 • Ne pas raccorder le câble de mise à la masse de cet appareil à la borne négative (-) du haut-parleur.
 • Ne pas tenter de raccorder les haut-parleurs en parallèle.
 • Connecter uniquement des haut-parleurs passifs. La connexion de haut-parleurs actifs (avec des amplificateurs intégrés) aux bornes des haut-parleurs pourrait endommager l'appareil.
 • Pour éviter tout problème de fonctionnement, n'utilisez pas les câbles des haut-parleurs intégrés (-) installés dans votre voiture si l'appareil dispose d'un câble négatif commun pour les haut-parleurs droit et gauche.
 • Ne raccordez pas entre eux les cordons des haut-parleurs de l'appareil.

Remarque sur le raccordement
 Si les haut-parleurs et l'amplificateur ne sont pas raccordés correctement, le message « FALLURE » s'affiche. Dans ce cas, vérifiez-vous que les haut-parleurs et l'amplificateur sont raccordés correctement.



REAR/SUB AUDIO OUT



Attenzione

Assicurarsi di installare l'apparecchio nel cruscotto della vettura, poiché la parte posteriore dell'apparecchio stesso si surriscalda durante l'uso.

- Questo apparecchio è stato progettato per l'uso solo a 12 V CC con massa negativa.
- Evitare che i cavi rimangano bloccati da una vite o incastrati nelle parti mobili (per esempio nelle guide scorrevoli dei sedili).
- Prima di effettuare i collegamenti, spegnere il motore dell'automobile onde evitare di causare cortocircuiti.
- Collegare il cavo di alimentazione (3) all'apparecchio e ai diffusori prima di collegarli al connettore di alimentazione ausiliario.
- Portare i cavi di messa a terra a un punto di massa comune.**
- Per sicurezza, assicurarsi di isolare qualsiasi cavo non collegato utilizzando del nastro adesivo.

Elenco dei componenti

- I numeri nella lista corrispondono a quelli riportati nelle istruzioni.
- La staffa (1) è applicata all'unità prima della spedizione. Prima di montare l'unità, utilizzare le chiavette di rilascio (2) per rimuovere la staffa (1) dall'unità. Per ulteriori informazioni, vedere "Rimozione della staffa (1)" sul lato opposto del foglio.
- Conservare le chiavette di rilascio (2) per un uso futuro in quanto sono necessarie per rimuovere l'unità dall'auto.**

Attenzione
 Maneggiare la staffa (1) con cautela per evitare di ferirsi le mani.



Note
 Before installing, make sure that the catches on both sides of the bracket (1) are bent inward (2 mm (1/8") in). If the catches are straight or bent outward, the unit will not be installed securely and may spring out.

Esempio di collegamento

Notes (2 A)
 • Assicurarsi di collegare il cavo di terra prima di collegare l'apparecchio.
 • Il messaggio di allarme viene emesso solo se è in uso l'amplificatore incorporato.

Schema di collegamento

A AMP REMOTE IN di un amplificatore di potenza opzionale
B Al cavo di interfaccia di un telefono per auto

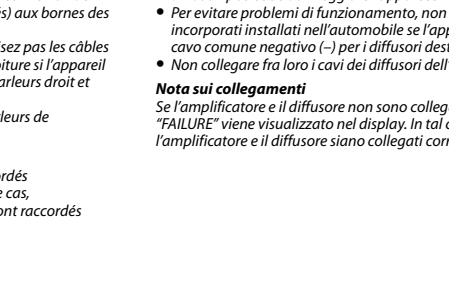
Avvertenza
 Quando si collega l'apparecchio con il cavo di alimentazione in dotazione (3), si potrebbe danneggiare l'antenna elettrica se questa non dispone di scatola a relé.

Nota sul cavo di controllo e di alimentazione
 • Il cavo (bleu) di controllo dell'antenna elettrica fornisce alimentazione continua a +12 V CC quando si attiva il sintonizzatore oppure la funzione TA (notizie sul traffico) o AF (frequenza alternativa).
 • Se l'automobile è dotata di antenna FM/AM/IFW incorporata nel vetro posteriore laterale, collegare il cavo (bleu) di controllo dell'antenna elettrica o il cavo (rosso) di ingresso dell'alimentazione accessoria al terminale di alimentazione del preamplificatore dell'antenna esistente. Per ulteriori informazioni, consultare il proprio fornitore.
 • Non è possibile usare un'antenna elettrica senza scatola a relé con questo apparecchio.

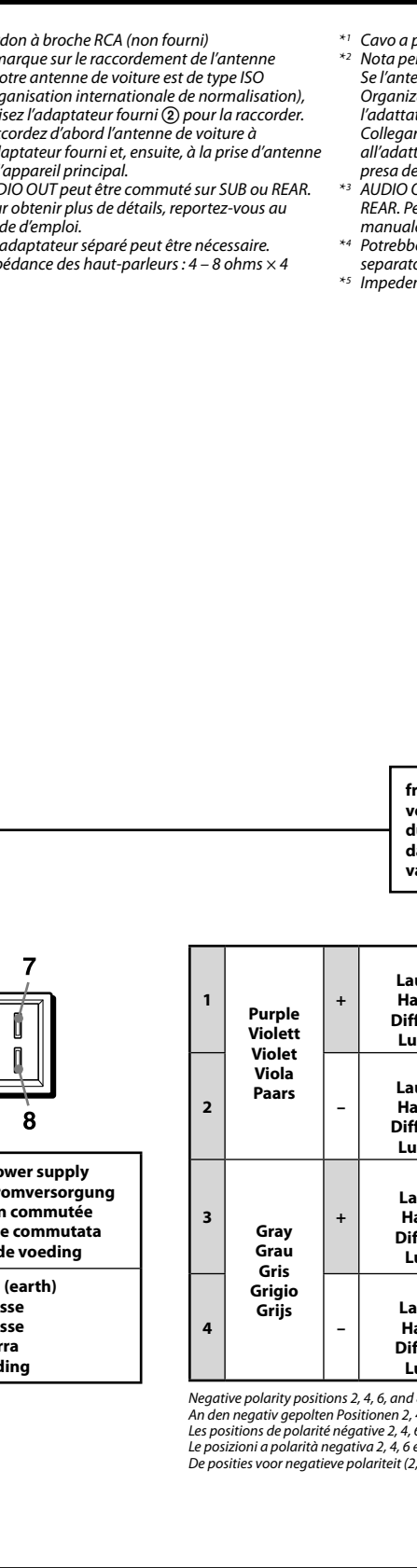
Collegamento per la conservazione della memoria
 Quando il cavo di ingresso alimentazione giallo è collegato, viene sempre fornita alimentazione al circuito di memoria anche quando l'interruttore di accensione è spento.

Nota sul collegamento dei diffusori
 • Prima di collegare i diffusori, spegnere l'apparecchio.
 • Usare diffusori di impedenza compresa tra 4 e 8 ohm e con capacità di potenza adeguata, altrimenti i diffusori potrebbero venire danneggiati.
 • Non collegare i terminali del sistema diffusori al relé dell'auto o non collegare i terminali del sistema diffusori a quelli del diffusore sinistro.
 • Non collegare i cavi di terra di questo apparecchio al relé elettrico negativo (-) dei diffusori.
 • Non collegare il cavo di messa a terra di questo apparecchio alla borne negativa (-) del diffusore.
 • Non tentare di collegare soltanto diffusori passivi, poiché il collegamento di diffusori attivi, dotati di amplificatori incorporati, ai terminali dei diffusori potrebbe danneggiare l'apparecchio.
 • Per evitare problemi di funzionamento, non utilizzare i cavi dei diffusori incorporati installati nell'automobile se l'apparecchio condiziona un cavo comune negativo (-) per i diffusori destro e sinistro.
 • Non collegare fra loro i cavi dei diffusori dell'apparecchio.

Nota sui collegamenti
 Se l'amplificatore e il diffusore non sono collegati correttamente, "FALLURE" viene visualizzato nel display. In tal caso accertarsi che l'amplificatore e il diffusore siano collegati correttamente.



REAR/SUB AUDIO OUT



Let op

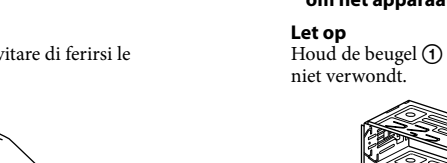
Installeer dit apparaat in het dashboard van de auto omdat de achterkant van het apparaat tijdens gebruik heet kan worden.

- Dit apparaat is ontworpen voor gebruik op een auto-accu van 12 V gelijkstroom, negatieve aarde.
- Zorg ervoor dat de draden niet onder een schroef of tussen bewegende onderdelen (bv. rail van de autozetel) terechtkomen.
- Voordat u de aansluitingen maakt, moet u het contact uitzetten om schade te voorkomen.
- Sluit de voedingskabel (3) aan op het apparaat en de luidsprekers voordat u de kabel aansluit op de hulpvoedingsaansluiting.
- Sluit alle aardingskabels op een gemeenschappelijk aardpunt aan.**
- Voorzie niet-aangesloten kabels om veiligheidsredenen altijd van isolatieband.

Onderdelenlijst

- De nummers in de afbeelding verwijzen naar die in de montage-aanwijzingen.
- De beugel (1) wordt op het apparaat bevestigd voordat dit wordt verzonden. Voordat u het apparaat installeert, moet u de ontgrendelingskabels (2) gebruiken om de beugel (1) van het apparaat te verwijderen. Zie "De beugel verwijderen (1)" op de achterkant van dit vel.
- Bewaar de ontgrendelingskabels (2) voor toekomstig gebruik omdat u deze ook nodig hebt om het apparaat uit de auto te verwijderen.**

Let op
 Hou de beugel (1) voorzichtig vast zodat u uw vingers niet verwondt.



Note
 Before installing, make sure that the catches on both sides of the bracket (1) are bent inward (2 mm (1/8") in). If the catches are straight or bent outward, the unit will not be installed securely and may spring out.

Esempio di collegamento

Notes (2 A)
 • Assicurarsi di collegare il cavo di terra prima di collegare l'apparecchio.
 • Il messaggio di allarme viene emesso solo se è in uso l'amplificatore incorporato.

Schema di collegamento

A AMP REMOTE IN di un amplificatore di potenza opzionale
B Al cavo di interfaccia di un telefono per auto

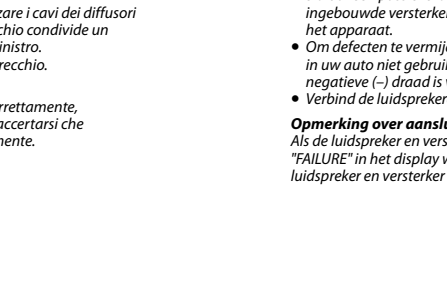
Avvertenza
 Quando si collega l'apparecchio con il cavo di alimentazione in dotazione (3), si potrebbe danneggiare l'antenna elettrica se questa non dispone di scatola a relé.

Nota sul cavo di controllo e di alimentazione
 • Il cavo (bleu) di controllo dell'antenna elettrica fornisce alimentazione continua a +12 V CC quando si attiva il sintonizzatore oppure la funzione TA (notizie sul traffico) o AF (frequenza alternativa).
 • Se l'automobile è dotata di antenna FM/AM/IFW incorporata nel vetro posteriore laterale, collegare il cavo (bleu) di controllo dell'antenna elettrica o il cavo (rosso) di ingresso dell'alimentazione accessoria al terminale di alimentazione del preamplificatore dell'antenna esistente. Per ulteriori informazioni, consultare il proprio fornitore.
 • Non è possibile usare un'antenna elettrica senza scatola a relé con questo apparecchio.

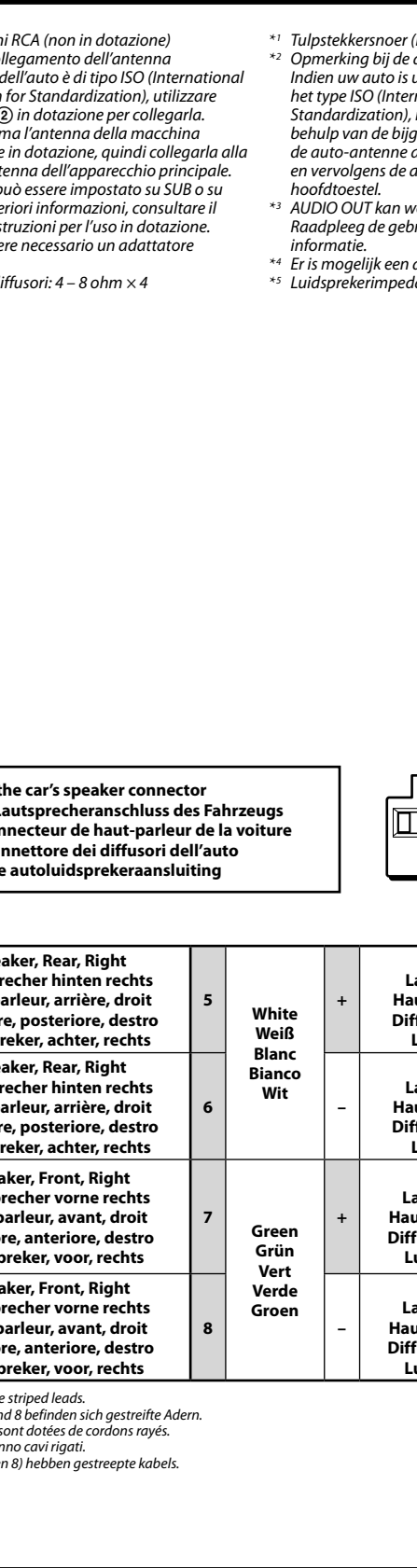
Collegamento per la conservazione della memoria
 Quando il cavo di ingresso alimentazione giallo è collegato, viene sempre fornita alimentazione al circuito di memoria anche quando l'interruttore di accensione è spento.

Nota sul collegamento dei diffusori
 • Prima di collegare i diffusori, spegnere l'apparecchio.
 • Usare diffusori di impedenza compresa tra 4 e 8 ohm e con capacità di potenza adeguata, altrimenti i diffusori potrebbero venire danneggiati.
 • Non collegare i terminali del sistema diffusori al relé dell'auto o non collegare i terminali del sistema diffusori a quelli del diffusore sinistro.
 • Non collegare i cavi di terra di questo apparecchio al relé elettrico negativo (-) dei diffusori.
 • Non tentare di collegare soltanto diffusori passivi, poiché il collegamento di diffusori attivi, dotati di amplificatori incorporati, ai terminali dei diffusori potrebbe danneggiare l'apparecchio.
 • Per evitare problemi di funzionamento, non utilizzare i cavi dei diffusori incorporati installati nell'automobile se l'apparecchio condiziona un cavo comune negativo (-) per i diffusori destro e sinistro.
 • Non collegare fra loro i cavi dei diffusori dell'apparecchio.

Nota sui collegamenti
 Se l'amplificatore e il diffusore non sono collegati correttamente, "FALLURE" viene visualizzato nel display. In tal caso accertarsi che l'amplificatore e il diffusore siano collegati correttamente.



REAR/SUB AUDIO OUT



Let op

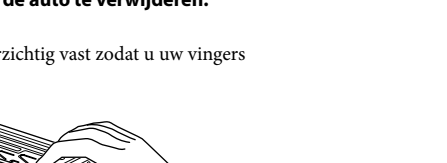
Installeer dit apparaat in het dashboard van de auto omdat de achterkant van het apparaat tijdens gebruik heet kan worden.

- Dit apparaat is ontworpen voor gebruik op een auto-accu van 12 V gelijkstroom, negatieve aarde.
- Zorg ervoor dat de draden niet onder een schroef of tussen bewegende onderdelen (bv. rail van de autozetel) terechtkomen.
- Voordat u de aansluitingen maakt, moet u het contact uitzetten om schade te voorkomen.
- Sluit de voedingskabel (3) aan op het apparaat en de luidsprekers voordat u de kabel aansluit op de hulpvoedingsaansluiting.
- Sluit alle aardingskabels op een gemeenschappelijk aardpunt aan.**
- Voorzie niet-aangesloten kabels om veiligheidsredenen altijd van isolatieband.

Onderdelenlijst

- De nummers in de afbeelding verwijzen naar die in de montage-aanwijzingen.
- De beugel (1) wordt op het apparaat bevestigd voordat dit wordt verzonden. Voordat u het apparaat installeert, moet u de ontgrendelingskabels (2) gebruiken om de beugel (1) van het apparaat te verwijderen. Zie "De beugel verwijderen (1)" op de achterkant van dit vel.
- Bewaar de ontgrendelingskabels (2) voor toekomstig gebruik omdat u deze ook nodig hebt om het apparaat uit de auto te verwijderen.**

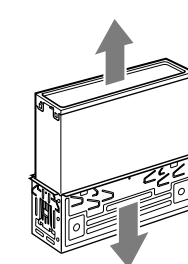
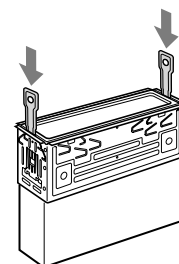
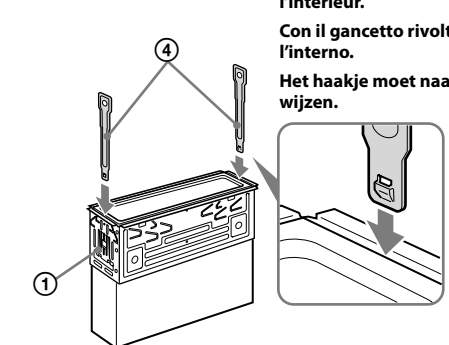
Let op
 Hou de beugel (1) voorzichtig vast zodat u uw vingers niet verwondt.



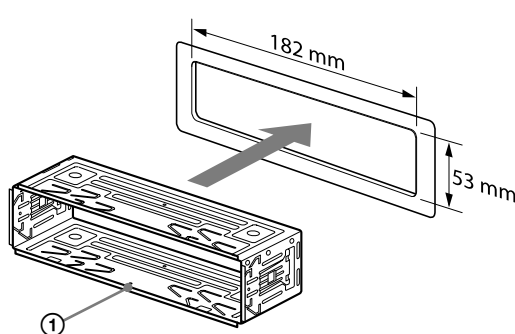
Note
 Before installing, make sure that the catches on both sides of the bracket (1) are bent inward (2 mm (1/8") in). If the catches are straight or bent outward, the unit will not be installed securely and may spring out.

4

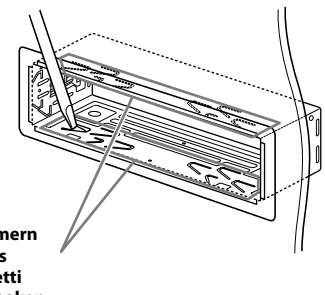
Face the hook inwards.
Der Haken muss nach innen weisen.
Tournez le crochet vers l'intérieur.
Con il gancetto rivolto verso l'interno.
Het haakje moet naar binnen wijzen.



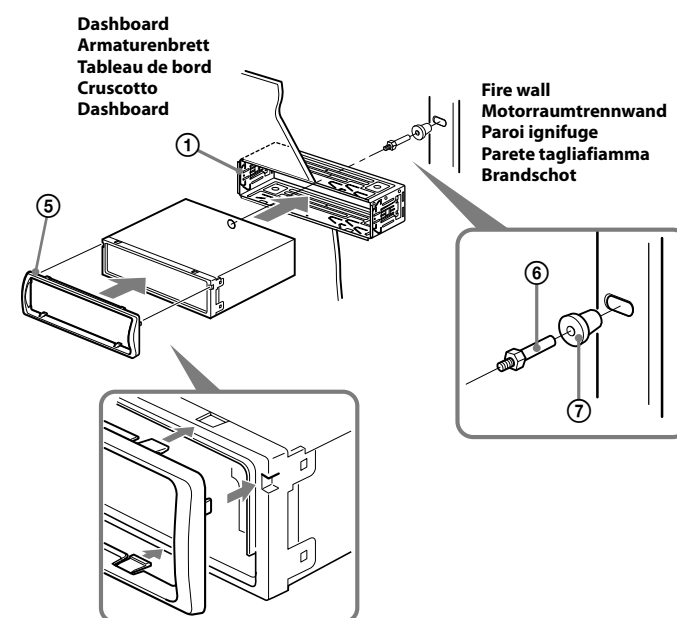
5 1



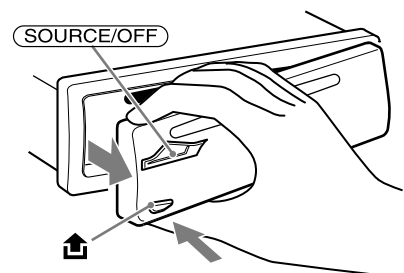
2



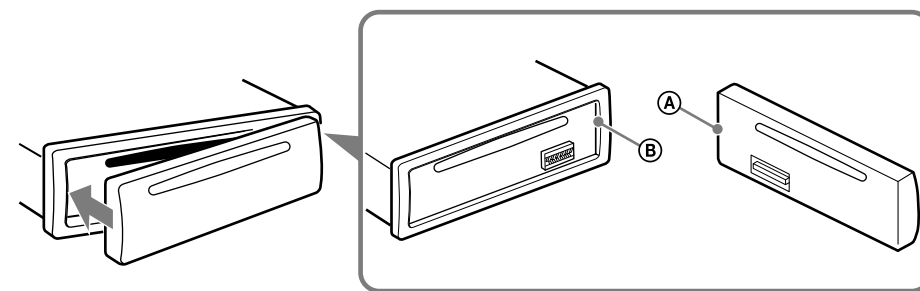
3



6 A



B



Precautions

- Choose the installation location carefully so that the unit will not interfere with normal driving operations.
- Avoid installing the unit in areas subject to dust, dirt, excessive vibration, or high temperature, such as in direct sunlight or near heater ducts.
- Use only the supplied mounting hardware for a safe and secure installation.

Mounting angle adjustment

Adjust the mounting angle to less than 45°.

Removing the bracket 4

Before installing the unit, remove the bracket ④ from the unit.

- Insert both release keys ① together between the unit and the bracket ④ until they click.
- Pull down the bracket ④, then pull up the unit to separate.

Mounting example 5

Installation in the dashboard

- Notes**
- Bend these claws outward for a tight fit. If necessary, ②-2.
 - Make sure that the 4 catches on the protection collar ③ are properly engaged in the slots of the unit ②-3.

How to detach and attach the front panel 6

Before installing the unit, detach the front panel.

6-A To detach

Before detaching the front panel, be sure to press and hold (SOURCE/OFF). Press ②, and pull it off towards you.

6-B To attach

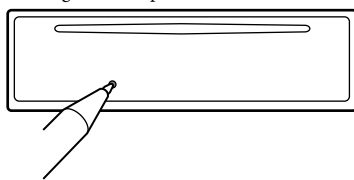
Engage part ④ of the front panel with part ⑤ of the unit, as illustrated, and push the left side into position until it clicks.

Warning if your car's ignition has no ACC position

Be sure to set the Auto Off function. For details, see the supplied Operating Instructions. The unit will shut off completely and automatically in the set time after the unit is turned off, which prevents battery drain. If you do not set the Auto Off function, press and hold (SOURCE/OFF) until the display disappears each time you turn the ignition off.

RESET button

When the installation and connections are completed, be sure to press the RESET button with a ball-point pen, etc., after detaching the front panel.



Sicherheitshinweise

- Wählen Sie den Einbaort sorgfältig so aus, dass das Gerät beim Fahren nicht hinderlich ist.
- Bauen Sie das Gerät so ein, dass es keinen hohen Temperaturen (keinem direkten Sonnenlicht, keiner Warmluft von der Heizung), keinem Staub, keinem Schmutz und keinen starken Vibrationen ausgesetzt ist.
- Für eine sichere Befestigung verwenden Sie stets die mitgelieferten Montageteile.

Hinweis zum Montagewinkel

Das Gerät sollte in einem Winkel von weniger als 45° montiert werden.

Abnehmen der Halterung 4

Nehmen Sie vor dem Installieren des Geräts die Halterung ④ vom Gerät ab.

- Führen Sie beide Löseschlüssel ① zwischen dem Gerät und der Halterung ④ ein, bis sie mit einem Klicken einrasten.
- Ziehen Sie die Halterung ④ nach unten und das Gerät nach oben, um die beiden zu trennen.

Montagebeispiel 5

Installation im Armaturenbrett

- Hinweise**
- Falls erforderlich, biegen Sie diese Klammern für einen sicheren Halt nach außen ②-2.
 - Achten Sie darauf, die 4 Verriegelungen an der Schutzumrandung ③ korrekt in die Aussparungen am Gerät einzusetzen ②-3.

Abnehmen und Anbringen der Frontplatte 6

Nehmen Sie die Frontplatte vor dem Einbau des Geräts ab.

6-A Abnehmen

Halten Sie vor dem Abnehmen der Frontplatte unbedingt (SOURCE/OFF) gedrückt. Drücken Sie ② und ziehen Sie sie auf sich zu heras.

6-B Anbringen

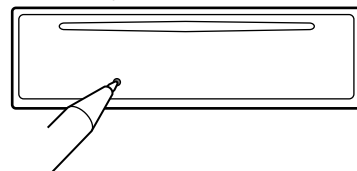
Setzen Sie Teil ④ der Frontplatte wie in der Abbildung dargestellt an Teil ⑤ des Geräts an und drücken Sie die linke Seite der Frontplatte an, bis sie mit einem Klicken einrastet.

Warnhinweis, wenn die Zündung Ihres Fahrzeugs nicht über eine Zubehörsposition (ACC oder I) verfügt

Aktivieren Sie unbedingt die Abschaltautomatik. Näheres dazu finden Sie in der mitgelieferten Bedienungsanleitung. Nach dem Ausschalten wird das Gerät dann nach der voreingestellten Zeit automatisch vollständig abgeschaltet, so dass der Autobatterie kein Strom mehr entzogen wird. Wenn Sie die Abschaltautomatik nicht aktivieren, müssen Sie jedes Mal, wenn Sie die Zündung ausschalten, die Taste (SOURCE/OFF) gedrückt halten, bis die Anzeige ausgeblendet wird.

Taste RESET

Wenn Sie das Gerät eingebaut und alle Anschlüsse vorgenommen haben, müssen Sie die Frontplatte abheben und mit einem Kugelschreiber oder einem anderen spitzen Gegenstand die Taste RESET drücken.



Précautions

- Choisir soigneusement l'emplacement de l'installation afin que l'appareil ne gêne pas la conduite normale du véhicule.
- Éviter d'installer l'appareil dans un endroit exposé à la poussière, de la saleté, des vibrations violentes ou à des températures élevées, comme en plein soleil ou à proximité d'un conduit de chauffage.
- Pour garantir un montage sûr, n'utiliser que le matériel fourni.

Réglage de l'angle de montage

Ajuster l'inclinaison à un angle inférieur à 45°.

Retrait du support 4

Avant d'installer l'appareil, retirez le support ④ de l'appareil.

- Insérez les deux clés de déblocage ① simultanément entre l'appareil et le support ④ jusqu'au déclic indiquant qu'elles sont en place.
- Tirez le support ④ vers le bas, puis tirez l'appareil vers le haut pour le séparer.

Exemple de montage 5

Installation dans le tableau de bord

- Hinweise**
- Placez ces griffes vers l'extérieur pour assurer une prise correcte si nécessaire ②-2.
 - Assurez-vous que les 4 loquets du tour de protection ③ sont correctement insérés dans les fentes de l'appareil ②-3.

Retrait et fixation de la façade 6

Avant d'installer l'appareil, retirez la façade.

6-A Pour la retirer

Avant de retirer la façade, veillez à appuyer sur la touche (SOURCE/OFF) et à la maintenir enfoncée. Appuyez sur ② puis sortez la façade en tirant vers vous.

6-B Pour la fixer

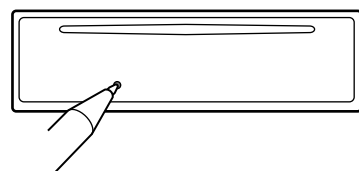
Fixez la partie ④ de la façade sur la partie ⑤ de l'appareil, comme indiqué sur l'illustration, puis appuyez sur le côté gauche jusqu'au déclic.

Avertissement au cas où le contact de votre voiture ne dispose pas d'une position ACC

Veillez à régler la fonction de mise hors tension automatique. Pour obtenir davantage d'informations, reportez-vous au mode d'emploi fourni. L'appareil s'éteint complètement et automatiquement après le laps de temps choisi une fois l'appareil mis hors tension afin d'éviter que la batterie ne se décharge. Si vous ne réglez pas la fonction de mise hors tension automatique, appuyez sur la touche (SOURCE/OFF) et maintenez-la enfoncée jusqu'à ce que l'affichage disparaisse à chaque fois que vous coupez le contact.

Touche RESET

Une fois que l'installation et les raccordements sont terminés, retirez la façade et appuyez sur le bouton RESET à l'aide d'un stylo à bille ou d'un autre objet pointu.



Precauzioni

- Scegliere con attenzione la posizione per l'installazione in modo che l'apparecchio non interferisca con le operazioni di guida del conducente.
- Evitare di installare l'apparecchio dove sia soggetto ad alte temperature, come alla luce solare diretta o al getto di aria calda dell'impianto di riscaldamento, o dove possa essere soggetto a polvere, sporco e vibrazioni eccessive.
- Usare solo il materiale di montaggio in dotazione per un'installazione stabile e sicura.

Regolazione dell'angolo di montaggio

Regolare l'angolo di montaggio in modo che sia inferiore a 45°.

Rimozione della staffa 4

Prima di installare l'unità, rimuovere la staffa ④ dall'unità.

- Inserire contemporaneamente entrambe le chiavette di rilascio ① tra l'apparecchio e la staffa ④ fino a che non scattano in posizione.
- Estrarre la staffa ④, quindi sollevare l'apparecchio per rimuoverlo.

Esempio di montaggio 5

Installazione nel cruscotto

- Note**
- Piegare verso l'interno questi morsetti per un'installazione più sicura, se necessario ②-2.
 - Assicurarsi che i 4 fermi sulla cornice protettiva ③ siano correttamente inseriti negli alloggiamenti dell'apparecchio ②-3.

Come rimuovere e reinserire il pannello anteriore 6

Prima di installare l'apparecchio rimuovere il pannello anteriore.

6-A Per rimuoverlo

Prima di rimuovere il pannello anteriore, assicurarsi di tenere premuto (SOURCE/OFF). Premere ②, quindi tirare verso di sé il pannello anteriore.

6-B Per reinserirlo

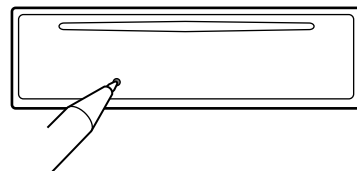
Applicare la parte ④ del pannello anteriore alla parte ⑤ dell'apparecchio come mostrato nell'illustrazione e premere il lato sinistro fino a sentire uno scatto.

Avvertenza relativa all'installazione su un'auto sprovvista della posizione ACC (accessoria) sul blocchetto di accensione

Accertarsi di impostare la funzione di spegnimento automatico. Per ulteriori informazioni, fare riferimento alle istruzioni per l'uso in dotazione. L'apparecchio si spegne completamente e automaticamente allora impostata dopo che è stato disattivato, onde evitare che la batteria si scarichi. Se la funzione di spegnimento automatico non è stata impostata, ogni volta che il motore viene spento tenere premuto (SOURCE/OFF) finché il display non viene disattivato.

Tasto RESET

Una volta completate le procedure di installazione e i collegamenti, accertarsi di premere il tasto RESET con una penna a sfera o un oggetto simile dopo avere rimosso il pannello anteriore.



Voorzorgmaatregelen

- Kies de installatieplaats zorgvuldig zodat het apparaat de bestuurder niet hindert tijdens het rijden.
- Installeer het apparaat niet op plaatsen waar het blootgesteld wordt aan hoge temperaturen, b.v. in direct zonlicht of bij de warme luchtstroom van de autoverwarming, aan sterke trillingen, of waar het in contact komt met veel stof of vuil.
- Gebruik voor het veilig en stevig monteren van het apparaat uitsluitend de bijgeleverde montage-onderdelen.

De montagehoek bepalen

Zorg dat de montagehoek minder dan 45° bedraagt.

De beugel verwijderen 4

Voordat u het apparaat installeert, moet u de beugel ④ van het apparaat verwijderen.

- Plaats de ontgrendelingsleutels ① tussen het apparaat en de beugel ④ tot deze vastklikken.
- Trek de beugel ④ omlaag en trek het apparaat omhoog om deze van elkaar te scheiden.

Montagevoorbeeld 5

Montage in het dashboard

- Opmerkingen**
- Indien nodig kunt u deze klemhaken omhoog voor een stevigere bevestiging ②-2.
 - De 4 grepen op de beschermende rand ③ moeten goed in de sleuven van het apparaat zijn geplaatst ②-3.

Het voorpaneel verwijderen en bevestigen 6

Verwijder, alvorens met het installeren te beginnen, het afneembare voorpaneel.

6-A Verwijderen

Voordat u het voorpaneel verwijdert, moet u (SOURCE/OFF) ingedrukt houden. Druk op ② en trek het voorpaneel naar u toe.

6-B Bevestigen

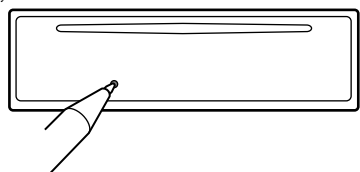
Breng deel ④ van het voorpaneel aan op deel ⑤ van het apparaat zoals afgebeeld en druk op de linkerzijde tot deze vastklikt.

Waarschuwing als het contactslot van de auto geen ACC-positie heeft

Zorg ervoor dat u de functie voor automatisch uitschakelen instelt. Raadpleeg de bijgeleverde gebruiksaanwijzing voor meer informatie. Het apparaat wordt na de ingestelde tijd automatisch volledig uitgeschakeld nadat het apparaat is uitgeschakeld. Zo wordt voorkomen dat de accu leegloopt. Als u de functie voor automatisch uitschakelen niet instelt, moet u (SOURCE/OFF) ingedrukt houden tot het display verdwijnt telkens wanneer er het contact uitschakelt.

RESET-toets

Als u de installatie en aansluitingen hebt voltooid, moet u met een puntig voorwerp, zoals de punt van een balpen, op RESET drukken nadat u het voorpaneel hebt verwijderd.



Power connection diagram

Auxiliary power connector may vary depending on the car. Check your car's auxiliary power connector diagram to make sure the connections match correctly. There are three basic types (illustrated below). You may need to switch the positions of the red and yellow leads in the car stereo's power supply lead. After matching the connections and switched power supply leads correctly, connect the unit to the car's power supply. If you have any questions and problems connecting your unit that are not covered in this manual, please consult the car dealer.

Stromanschlussdiagramm

Der Hilfsstromanschluss kann je nach Fahrzeugtyp unterschiedlich sein. Sehen Sie im Hilfsstromanschlussdiagramm für Ihr Fahrzeug nach, wie die Verbindung ordnungsgemäß vorgenommen werden muss. Es gibt, wie unten abgebildet, drei grundlegende Typen. Sie müssen möglicherweise die rote und gelbe Leitung des Stromversorgungsabels der Autostereoanlage vertauschen. Stellen Sie die Anschlüsse her, schließen Sie die geschalteten Stromversorgungsleitungen richtig an und verbinden Sie dann das Gerät mit der Stromversorgung Ihres Fahrzeugs. Wenn beim Anschließen des Geräts Fragen oder Probleme auftreten, die in dieser Anleitung nicht erläutert werden, wenden Sie sich bitte an den Autohändler.

Schéma de raccordement d'alimentation

Le connecteur d'alimentation auxiliaire peut varier suivant le type de voiture. Vérifiez le schéma du connecteur d'alimentation auxiliaire de votre voiture pour vous assurer que les connexions correspondent. Il en existe trois types de base (illustrés ci-dessous). Il se peut que vous deviez commuter la position des fils rouge et jaune du câble d'alimentation de l'autoradio. Après avoir établi les connexions et connecté correctement les câbles d'alimentation, raccordez l'appareil à l'alimentation de la voiture. Si vous avez des questions ou des difficultés à propos de cet appareil qui ne sont pas abordées dans le présent mode d'emploi, consultez votre concessionnaire automobile.

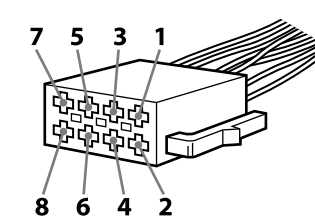
Diagramma dei collegamenti di alimentazione

Il connettore di alimentazione ausiliaria può variare a seconda della macchina. Controllare il diagramma del connettore di alimentazione ausiliaria della macchina per essere sicuri che i collegamenti corrispondano correttamente. Vi sono tre tipi di base (illustrazione sotto). Potrà essere necessario cambiare le posizioni dei fili rosso e giallo nel cavo di alimentazione dello stereo della macchina. Dopo aver fatto corrispondere i collegamenti e aver commutato i cavi di alimentazione, collegare l'apparecchio all'alimentazione della macchina. Se si hanno domande o se sorgono problemi che non sono stati trattati nel manuale nel collegare l'apparecchio, contattare l'autoconcessionario.

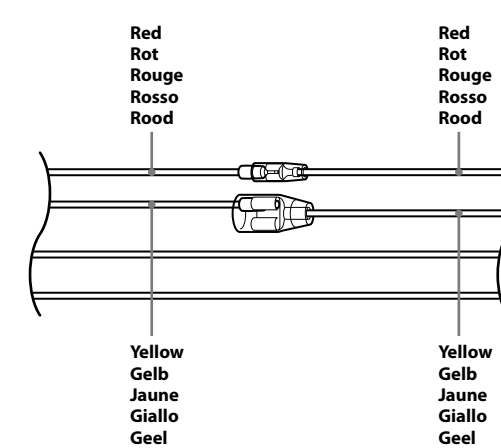
Voedingsaansluitschema

De hulpvoedingsaansluiting kan verschillen afhankelijk van de auto. Controleer het hulpvoedingsaansluitschema dat bij dit apparaat wordt geleverd om te zien of de aansluitingen kloppen. Er zijn drie basistypen (zie afbeelding hieronder). Het is mogelijk dat u de posities van de rode en gele kabels in de voedingskabel van het audiosysteem van de auto moet omwisselen. Als de aansluitingen en geschakelde voedingskabels kloppen, sluit u het apparaat aan op de voeding van de auto. Indien u nog vragen of problemen hebt in verband met het aansluiten van het apparaat die niet in deze handleiding worden behandeld, raadpleeg dan de auto dealer.

Auxiliary power connector
Hilfsstromanschluss
Connecteur d'alimentation auxiliaire
Connettore di alimentazione ausiliaria
Hulpvoedingsaansluiting

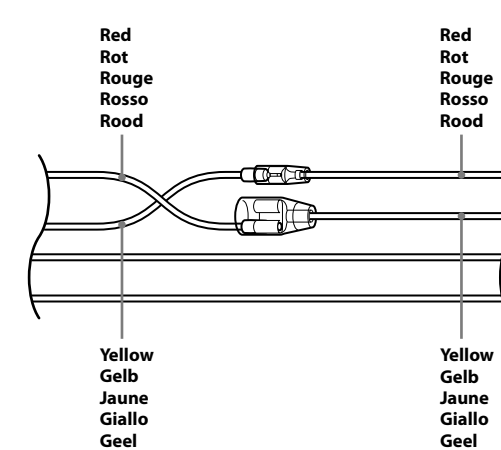


a



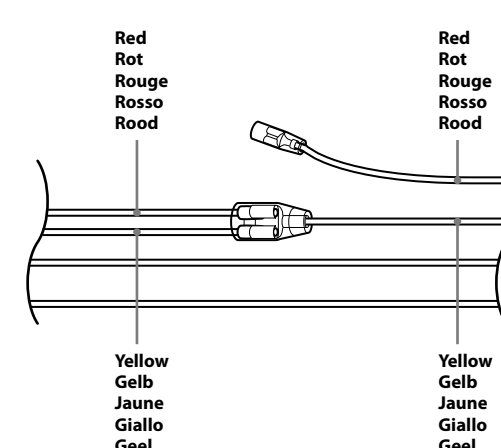
4	Yellow Gelb Jaune Giallo Geel	continuous power supply permanente Stromversorgung alimentation continue alimentazione continua continue voeding	7	Red Rot Rouge Rosso Rood	switched power supply geschaltete Stromversorgung alimentation commutée alimentazione commutata geschakelde voeding
---	---	--	---	--------------------------------------	---

b



4	Yellow Gelb Jaune Giallo Geel	switched power supply geschaltete Stromversorgung alimentation commutée alimentazione commutata geschakelde voeding	7	Red Rot Rouge Rosso Rood	continuous power supply permanente Stromversorgung alimentation continue alimentazione continua continue voeding
---	---	---	---	--------------------------------------	--

c



the car without ACC position
Fahrzeug ohne Zubehörsposition (ACC oder I)
Véhicule sans position ACC
Auto priva della posizione ACC
Auto zonder ACC-positie