

## Specifications

Speaker	Coaxial 2-way: Woofer 13 cm, HOP, cone type Tweeter 4 cm, Al, cone type
Peak power	150 W
Rated power	35 W
Impedance	4 Ω
Sensitivity	91 dB/W/m
Frequency response	30 – 23,000 Hz
Mass	Approx. 525 g per speaker
Supplied accessories	Parts for installation

*Design and specifications are subject to change without notice.*

## Spécifications

Haut-parleur	Coaxial à 2 voies <span> </span> : Woofer de 13 cm, HOP, de type conique Tweeter de 4 cm, Al, de type conique
Puissance de crête	150 W
Puissance nominale	35 W
Impédance	4 Ω
Sensibilité	91 dB/W/m
Réponse en fréquence	30 – 23 000 Hz
Poids	Environ 525 g par haut-parleur
Accessoires fournis	Éléments d’installation

*La conception et les spécifications sont sujettes à modification sans préavis.*

## Technische Daten

Lautsprecher	Koaxial, 2 Wege: Tieftöner: 13 cm, HOP, Konus Hochtöner: 4 cm, Al, Konus
Max. Leistung	150 W
Nennleistung	35 W
Impedanz	4 Ω
Empfindlichkeit	91 dB/W/m
Frequenzgang	30 – 23.000 Hz
Gewicht	ca. 525 g pro Lautsprecher
Mitgeliefertes Zubehör	Montageteile

*Anderungen, die dem technischen Fortschritt dienen, bleiben vorbehalten.*

## Spécifications

Speaker	Coaxial 2-way: Woofer 13 cm, HOP, cone type Tweeter 4 cm, Al, cone type
Peak power	150 W
Rated power	35 W
Impedance	4 Ω
Sensitivity	91 dB/W/m
Frequency response	30 – 23,000 Hz
Mass	Approx. 525 g per speaker
Supplied accessories	Parts for installation

*Design and specifications are subject to change without notice.*

## Spécifications

Haut-parleur	Coaxial à 2 voies <span> </span> : Woofer de 13 cm, HOP, de type conique Tweeter de 4 cm, Al, de type conique
Puissance de crête	150 W
Puissance nominale	35 W
Impédance	4 Ω
Sensibilité	91 dB/W/m
Réponse en fréquence	30 – 23 000 Hz
Poids	Environ 525 g par haut-parleur
Accessoires fournis	Éléments d’installation

*La conception et les spécifications sont sujettes à modification sans préavis.*

## Spécifications

Haut-parleur	Coaxial à 2 voies <span> </span> : Woofer de 13 cm, HOP, de type conique Tweeter de 4 cm, Al, de type conique
Puissance de crête	150 W
Puissance nominale	35 W
Impédance	4 Ω
Sensibilité	91 dB/W/m
Réponse en fréquence	30 – 23 000 Hz
Poids	Environ 525 g par haut-parleur
Accessoires fournis	Éléments d’installation

*La conception et les spécifications sont sujettes à modification sans préavis.*

*La conception et les spécifications sont sujettes à modification sans préavis.*

*La conception et les spécifications sont sujettes à modification sans préavis.*

*La conception et les spécifications sont sujettes à modification sans préavis.*

## Technische gegevens

Luidspreker	Coaxiale, 2-weg: Woofer van 13 cm, HOP, conustype Tweeter van 4 cm, Al, conustype
Maximaal ingangsvermogen	150 W
Nominaal ingangsvermogen	35 W
Impedantie	4 Ω
Gevoeligheid	91 dB/W/m
Frequentiebereik	30 – 23.000 Hz
Gewicht	Ongeveer 525 g per luidspreker
Bijgeleverde accessoires	Onderdelen voor installatie

*Ontwerp en specificaties kunnen zonder voorafgaande kennisgeving worden gewijzigd.*

## Caratteristiche tecniche

Speaker	Coaxial 2-way: Woofer 13 cm, HOP, cone type Tweeter 4 cm, Al, cone type
Peak power	150 W
Rated power	35 W
Impedance	4 Ω
Sensitivity	91 dB/W/m
Frequency response	30 – 23,000 Hz
Mass	Approx. 525 g per speaker
Supplied accessories	Parts for installation

Diffusore	Coassiale a 2 vie: Woofer da 13 cm, HOP, di tipo conico Tweeter da 4 cm, alluminio, di tipo conico
Potenza massima	150 W
Potenza nominale	35 W
Impedenza	4 Ω
Sensibilità	91 dB/W/m
Risposta in frequenza	30 – 23.000 Hz
Peso	Circa 525 g per diffusore
Accessori in dotazione	Elementi per installazione

*Il design e le caratteristiche tecniche sono soggetti a modifiche senza preavviso.*

*Il design e le caratteristiche tecniche sono soggetti a modifiche senza preavviso.*

*Il design e le caratteristiche tecniche sono soggetti a modifiche senza preavviso.*

Speaker	Coaxial 2-way: Woofer 13 cm, HOP, cone type Tweeter 4 cm, Al, cone type
Peak power	150 W
Rated power	35 W
Impedance	4 Ω
Sensitivity	91 dB/W/m
Frequency response	30 – 23,000 Hz
Mass	Approx. 525 g per speaker
Supplied accessories	Parts for installation

*Design and specifications are subject to change without notice.*

*Design and specifications are subject to change without notice.*

*Design and specifications are subject to change without notice.*

*Design and specifications are subject to change without notice.*

*Design and specifications are subject to change without notice.*

## Voorzorgsmaatregelen

- Belast de luidsprekers niet constant met een vermogen dat het maximale ingangsvermogen overschrijdt.
- Houd banden met opnamen, horloges en creditcards met magnetische codering uit de buurt van het luidsprekersysteem om mogelijke beschadiging door de luidsprekermagneten te voorkomen.

Als u geen geschikte montageplaats vindt, raadpleeg dan uw autodealer of de dichtstbijzijnde Sony dealer voordat u de luidsprekers gaat installeren.
--

## Precauzioni

- Non utilizzare il sistema diffusori con alimentazione di potenza nominale superiore a quella massima supportata e in modo prolungato.
- I nastri registrati, gli orologi e le carte di credito con codice magnetico devono essere tenuti lontano dal sistema diffusori, per evitare che i magneti dei diffusori possano danneggiarli.

Se non si riesce ad individuare una posizione adatta per il montaggio, consultare il concessionario auto o il proprio rivenditore Sony.
---

*Design and specifications are subject to change without notice.*

*Design and specifications are subject to change without notice.*

*Design and specifications are subject to change without notice.*

*Design and specifications are subject to change without notice.*

*Design and specifications are subject to change without notice.*

*Design and specifications are subject to change without notice.*

*Design and specifications are subject to change without notice.*

*Design and specifications are subject to change without notice.*

## Welcome !

The CXS-GT2213 package includes the following:

- Car audio unit CDX-GT220
- See the supplied CDX-GT220 manual.
- Speaker XS-F1324R\*

\* See this manual.

## Félicitations !

L’emballage CXS-GT2213 contient les éléments suivants :

- Autoradio CDX-GT220
- Voir le manuel CDX-GT220 fourni.
- Haut-parleur XS-F1324R\*

\* Voir le présent manuel.

## Willkommen!

Das Paket CXS-GT2213 umfasst Folgendes:

- Autoanlage CDX-GT220
- Siehe dazu die mitgelieferte CDX-GT220-Anleitung.
- Lautsprecher XS-F1324R\*

\* Siehe diese Anleitung.

## Welkom!

De verpakking van de CXS-GT2213 bevat het volgende:

- Autoradio CDX-GT220
- Raadpleeg de bijgeleverde handleiding voor de CDX-GT220.
- Luidspreker XS-F1324R\*

\* Raadpleeg deze handleiding.

## Congratulazioni!

La confezione del modello CXS-GT2213 include i seguenti elementi:

- Autoradio CDX-GT220
- Consultare il manuale per CDX-GT220 in dotazione.
- Diffusore XS-F1324R\*

\* Consultare il presente manuale.

*Design and specifications are subject to change without notice.*

*Design and specifications are subject to change without notice.*

*Design and specifications are subject to change without notice.*

*Design and specifications are subject to change without notice.*

*Design and specifications are subject to change without notice.*

*Design and specifications are subject to change without notice.*

*Design and specifications are subject to change without notice.*

*Design and specifications are subject to change without notice.*

*Design and specifications are subject to change without notice.*

*Design and specifications are subject to change without notice.*

*Design and specifications are subject to change without notice.*

*Design and specifications are subject to change without notice.*

*Design and specifications are subject to change without notice.*

*Design and specifications are subject to change without notice.*

*Design and specifications are subject to change without notice.*

*Design and specifications are subject to change without notice.*

*Design and specifications are subject to change without notice.*

*Design and specifications are subject to change without notice.*

*Design and specifications are subject to change without notice.*

*Design and specifications are subject to change without notice.*

*Design and specifications are subject to change without notice.*

*Design and specifications are subject to change without notice.*

*Design and specifications are subject to change without notice.*

*Design and specifications are subject to change without notice.*

*Design and specifications are subject to change without notice.*

*Design and specifications are subject to change without notice.*

*Design and specifications are subject to change without notice.*

*Design and specifications are subject to change without notice.*

*Design and specifications are subject to change without notice.*

*Design and specifications are subject to change without notice.*

Questo simbolo sul prodotto o sulla confezione indica che il prodotto non deve essere considerato come un normale rifiuto domestico, ma deve invece essere consegnato ad un punto di raccolta appropriato per il riciclo di apparecchi elettrici ed elettronici. Assicurandovi che questo prodotto sia smaltito correttamente, voi contribuirete a prevenire potenziali conseguenze negative per l’ambiente e per la salute che potrebbero altrimenti essere causate dal suo smaltimento inadeguato. Il riciclaggio dei materiali aiuta a conservare le risorse naturali. Per informazioni più dettagliate circa il riciclaggio di questo prodotto, potete contattare l’ufficio comunale, il servizio locale di smaltimento rifiuti oppure il negozio dove l’avete acquistato.

# SONY

# 2-way Speaker

*Design and specifications are subject to change without notice.*

*Design and specifications are subject to change without notice.*

*Design and specifications are subject to change without notice.*

*Design and specifications are subject to change without notice.*

*Design and specifications are subject to change without notice.*

*Design and specifications are subject to change without notice.*

*Design and specifications are subject to change without notice.*

*Design and specifications are subject to change without notice.*

*Design and specifications are subject to change without notice.*

*Design and specifications are subject to change without notice.*

*Design and specifications are subject to change without notice.*

*Design and specifications are subject to change without notice.*

*Design and specifications are subject to change without notice.*

*Design and specifications are subject to change without notice.*

*Design and specifications are subject to change without notice.*

*Design and specifications are subject to change without notice.*

*Design and specifications are subject to change without notice.*

*Design and specifications are subject to change without notice.*

*Design and specifications are subject to change without notice.*

*Design and specifications are subject to change without notice.*

*Design and specifications are subject to change without notice.*

*Design and specifications are subject to change without notice.*

*Design and specifications are subject to change without notice.*

*Design and specifications are subject to change without notice.*

*Design and specifications are subject to change without notice.*

*Design and specifications are subject to change without notice.*

*Design and specifications are subject to change without notice.*

*Design and specifications are subject to change without notice.*

*Design and specifications are subject to change without notice.*

*Design and specifications are subject to change without notice.*

*Design and specifications are subject to change without notice.*

*Design and specifications are subject to change without notice.*

*Design and specifications are subject to change without notice.*

*Design and specifications are subject to change without notice.*

*Design and specifications are subject to change without notice.*

*Design and specifications are subject to change without notice.*

*Design and specifications are subject to change without notice.*

*Design and specifications are subject to change without notice.*

*Design and specifications are subject to change without notice.*

*Design and specifications are subject to change without notice.*

*Design and specifications are subject to change without notice.*

*Design and specifications are subject to change without notice.*

*Design and specifications are subject to change without notice.*

*Design and specifications are subject to change without notice.*

*Design and specifications are subject to change without notice.*

# Mounting/Montage/Montage/Montage/Montaggio

## Before mounting

A depth of at least 43 mm is required for flush mounting. Measure the depth of the area where you are to mount the speaker, and ensure that the speaker is not obstructing any other components of the car. Keep the following in mind when choosing a mounting location:

- Make sure that nothing is obstructing around the mounting location of the door (front or rear) where you are to mount the speaker.
- A hole for mounting may already be cut out of the inner panel of the door (front or rear). In this case, you need to modify the board only.
- If you are to mount this speaker system in the door (front or rear), make sure that the speaker terminals, frame or magnet do not interfere with any inner parts, such as the window mechanism in the door (when you open or close the window), etc.

## Avant le montage

Une profondeur d'au moins 43 mm est requise afin de procéder à un montage encastré du haut-parleur. Mesurez la profondeur de l'emplacement où vous souhaitez installer le haut-parleur et assurez-vous que ce dernier ne gênera aucun des autres éléments du véhicule. Veuillez toujours garder les remarques suivantes en mémoire lorsque vous choisissez un emplacement pour l'installation :

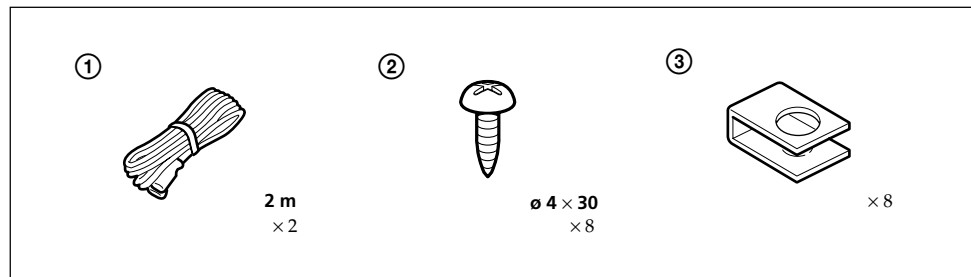
- Assurez-vous qu'aucun objet ne fait obstacle à proximité de l'emplacement sur la portière (avant ou arrière) où vous envisagez de monter le haut-parleur.
- Il est possible qu'un trou ait déjà été découpé dans le panneau intérieur de la portière (avant ou arrière). Dans ce cas, il vous suffit de modifier uniquement le panneau.
- Si vous installez ce système de haut-parleurs dans la portière (avant ou arrière), vérifiez que les bornes, le bord ou l'aimant des haut-parleurs ne gênent pas les éléments internes comme le mécanisme de lève-vitres de la portière (lorsque vous baissez ou remontez la vitre), etc.

## Vor der Montage

Für eine versenkte Montage ist eine Einbautiefe von mindestens 43 mm erforderlich. Messen Sie die Tiefe an der Stelle, an der der Lautsprecher montiert werden soll, und vergewissern Sie sich, dass der Lautsprecher keine anderen Fahrzeugteile blockiert. Beachten Sie bitte Folgendes, wenn Sie die Montagestelle festlegen:

- Achten Sie darauf, dass nichts die Montageposition in der Tür (vorne oder hinten), an der Sie den Lautsprecher anbringen wollen, blockiert.
- In der Innenverkleidung der Tür (vorne oder hinten) befindet sich möglicherweise bereits eine Aussparung für die Montage. In diesem Fall brauchen Sie nur die Platte anzupassen.
- Wenn Sie dieses Lautsprechersystem in der Tür (vorne oder hinten) montieren, achten Sie darauf, dass die Lautsprecheranschlüsse, die Rahmen bzw. die Magneten keine Teile im Fahrzeuginneren blockieren, wie zum Beispiel den Fensterhubmechanismus beim Öffnen und Schließen des Fensters usw.

## Parts list/Liste des pièces/Teileliste/Onderdelenlijst/Lista delle parti



## Vóór de montage

Voor de montage is een inbouwdiepte van minimaal 43 mm vereist. Meet de diepte van het gebied waar u de luidspreker wilt installeren en zorg dat de luidspreker niet wordt geblokkeerd door andere onderdelen van de auto. Houd rekening met de volgende punten als u een montageplaats uitzoekt:

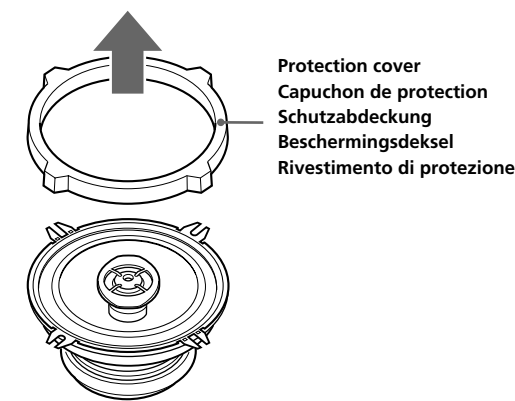
- Zorg dat er geen obstakels zijn rond het portier (voor of achter) waar u de luidspreker wilt installeren.
- In het binnenste paneel van het portier (voor of achter) is wellicht al een opening voor de installatie gemaakt. In dit geval hoeft u alleen de plaat aan te passen.
- Als u het luidsprekersysteem wilt installeren in het portier (voor of achter), mogen de contactpunten, het frame en de magneet van de luidspreker niet in contact komen met de binnenste onderdelen, zoals het raammechanisme in het portier als u het raam opent of sluit.

## Prima del montaggio

Per il montaggio a incasso è necessaria una profondità di almeno 43 mm. Misurare la profondità dell'area in cui verrà montato il diffusore e assicurarsi che quest'ultimo non ostacoli nessun altro componente dell'auto. Per scegliere la posizione di montaggio, tenere presente quanto segue:

- Assicurarsi che non vi sia alcun ostacolo nel punto in cui si desidera montare i diffusori nelle portiere (anteriori o posteriori).
- È possibile che sia già presente un foro nel pannello interno delle portiere (anteriori o posteriori). In tal caso, è necessario modificare solamente il cruscotto.
- Se si desidera montare il sistema diffusori nelle portiere (anteriori o posteriori), assicurarsi che i terminali, il telaio o il magnete dei diffusori non interferiscano con le parti interne delle portiere, quali il meccanismo di apertura e chiusura dei finestrini o altro.

## Remove the protection cover/Retrait du capuchon de protection/Abnehmen der Schutzabdeckung/Het beschermingsdeksel verwijderen/Rimuovere il rivestimento di protezione



Before installing the speaker, remove the protection cover.

**Note**  
Keep the protection cover for future use as it is also necessary to protect the speaker if you remove the speaker from your car.

Retirez le capuchon de protection avant d'installer le haut-parleur.

**Remarque**  
Conservez le capuchon de protection pour toute utilisation ultérieure car il également nécessaire de protéger le haut-parleur si vous le retirez de votre véhicule.

Nehmen Sie vor dem Einbau des Lautsprechers die Schutzabdeckung ab.

**Hinweis**  
Heben Sie die Schutzabdeckung zur späteren Verwendung auf. Sie dient zum Schutz des Lautsprechers, wenn Sie diesen aus dem Wagen ausbauen.

Voordat u de luidspreker installeert, moet u het beschermingsdeksel verwijderen.

**Opmerking**  
Bewaar het beschermingsdeksel voor later gebruik, omdat u dit nodig hebt om de luidspreker te beschermen als u deze uit de auto verwijdert.

Prima di installare il diffusore, rimuovere il rivestimento di protezione.

**Nota**  
Conservare il rivestimento di protezione per eventuali usi futuri, in quanto è inoltre necessario per la protezione del diffusore quando quest'ultimo viene rimosso dall'auto.

## Mounting from the car interior/Montage depuis l'intérieur de l'habitacle/Montage vom Wageninneren aus/Installieren in de auto/Montaggio all'interno dell'auto

### 1

$\varnothing 115 \text{ mm}$

### 2

Striped cord  
Cordon rayé  
Gestreiftes Kabel  
Gestreept snoer  
Cavo rigato

①\*

To speaker cord of a car.  
Vers le cordon de haut-parleur d'une voiture.  
An Lautsprecherkabel eines Autos.  
Naar luidsprekersnoer van een auto.  
Al cavo diffusori dell'auto.

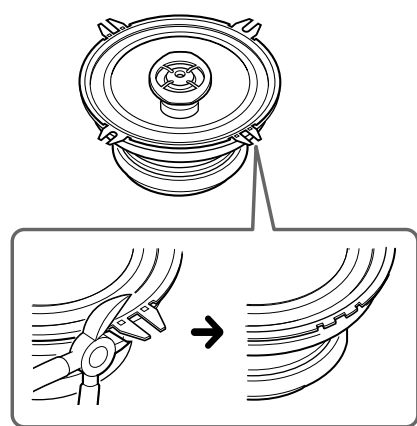
- \* White cord — Left speaker  
Gray cord — Right speaker
- \* Cordon blanc — Haut-parleur gauche  
Cordon gris — Haut-parleur droit
- \* Weißes Kabel — Linker Lautsprecher  
Graues Kabel — Rechter Lautsprecher
- \* Wit snoer — Linkerluidspreker  
Grijs snoer — Rechterluidspreker
- \* Cavo bianco — Diffusore sinistro  
Cavo grigio — Diffusore destro

### 3

Mark the 4 bolt holes and make them 3.3 mm in diameter.  
Marquez les 4 orifices des boulons et percez des trous de 3,3 mm de diamètre.  
Markieren Sie die 4 Schraubenlöcher und bohren Sie Löcher mit 3,3 mm Durchmesser.  
Markeer de 4 schroefgaten en boor gaten met een diameter van 3,3 mm.  
Contrassegnare i 4 fori dei bulloni e praticare fori di 3,3 mm di diametro.

Door panel  
Panneau de porte  
Türverkleidung  
Deurpaneel  
Pannello della portiera

## Flat mounting/Montage à plat/Versenkte Montage/Verzonken montage/Montaggio piatto



This speaker can be made to fit in almost any type of car by removing the mounting tabs.

Use clippers or pliers, etc. to cut or snap two of the mounting tabs off so that it is even with the edge of the speaker frame as illustrated.

**Note**  
After removing the mounting tabs, handle the speaker frame with care, as the edges may be sharp.

Ce haut-parleur peut être adapté à presque tous les types de véhicules en supprimant les pattes de montage.

Utilisez des cisailles ou des pinces pour couper ou enlever les pattes de montage afin qu'il n'y ait plus de partie saillante sur le bord du haut-parleur, comme illustré.

**Remarque**  
Lorsque vous avez enlevé les pattes de montage, manipulez le haut-parleur avec précaution car le bord peut être coupant.

Wenn Sie die Montagelaschen entfernen, passt dieser Lautsprecher in fast jedes Automodell. Schneiden Sie zwei Montagelaschen mit einer Schere ab oder zwicken Sie sie mit einer Zange o. Ä. so ab, dass sie wie in der Abbildung dargestellt mit der Kante des Lautsprecherrahmens abschließen.

**Hinweis**  
Fassen Sie den Lautsprecherrahmen nach dem Entfernen der Montagelaschen vorsichtig an, da die Kanten unter Umständen scharf sind.

Als u de bevestigingslipjes verwijdert, past deze luidspreker in bijna elk type auto. Knip of maak de twee bevestigingslipjes los met een schaar of een tang zodat de rand van de luidspreker egaal is, zoals wordt weergegeven.

**Opmerking**  
Behandel de luidspreker na het verwijderen van de lipjes met de nodige omzichtigheid omdat de randen scherp kunnen zijn.

Rimuovendo le linguette di montaggio, il presente diffusore può adattarsi quasi ad ogni tipo di auto. Utilizzare forbici, pinze o simili per tagliare o spezzare due linguette di montaggio in modo che il bordo sia allineato con quello del telaio del diffusore come da illustrazione.

**Nota**  
Dopo la rimozione delle linguette di montaggio, maneggiare il telaio del diffusore con cura perché i bordi potrebbero essere aguzzi.